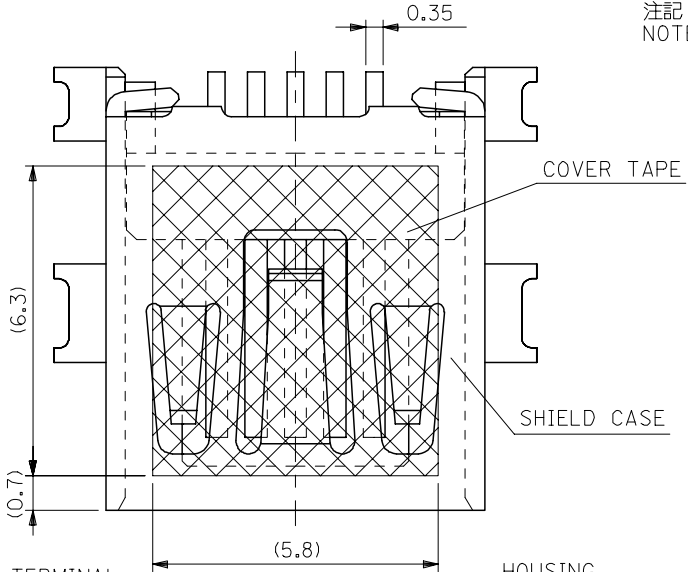


10 9 8 7 6 5 4 3 2 1



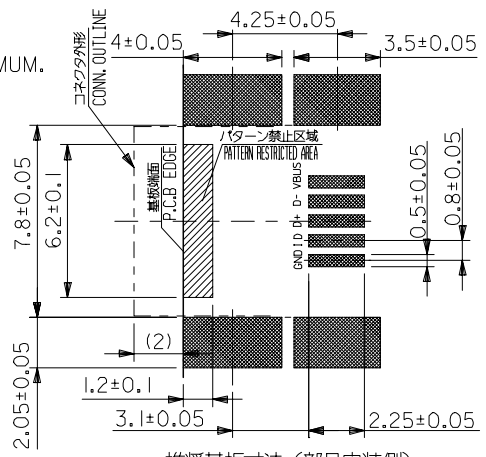
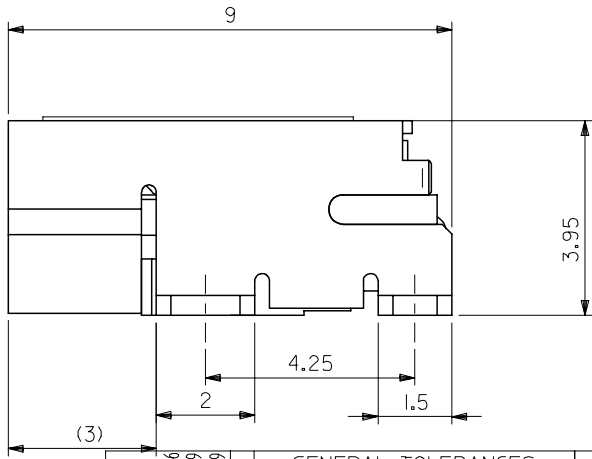
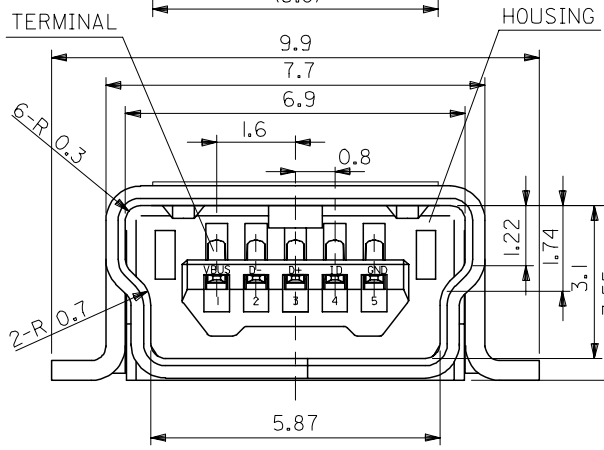
注記 1. 材質
NOTES MATERIAL

ハウジング: ポリフタルアミド ガラス充填, 黒色, UL 94V-0
HOUSING: POLYPHTHAL AMIDE GLASS FILLED, BLACK, UL 94V-0
ターミナル: 銅合金 (t=0.2)
TERMINAL: COPPER ALLOY (t=0.2)
シールド ケース: 銅合金 (t=0.4)
SHIELD CASE: COPPER ALLOY (t=0.4)
カバー テープ: ポリイミド (t=0.08)
COVER TAPE: POLYIMIDE (t=0.08)

2. メッキ仕様
PLATING

ターミナル
TERMINAL
接点部: 金メッキ 0.75µm MIN.
CONTACT AREA: GOLD 0.75 MICROMETER MINIMUM.
半田付け部: 錫メッキ 無光沢 1.0µm MIN.
SOLDER TAIL AREA: MATTE TIN 1.0 MICROMETER MINIMUM.
下地部: ニッケルメッキ 4.0µm MIN.
UNDER PLATING: NICKEL 4.0 MICROMETER MINIMUM.
シールド ケース
SHIELD CASE
: 錫メッキ 半光沢 1.0µm MIN.
: SEMI-MATTE TIN 1.0 MICROMETER MINIMUM.
下地部: ニッケルメッキ 4.0µm MIN.
UNDER PLATING: NICKEL 4.0 MICROMETER MINIMUM.

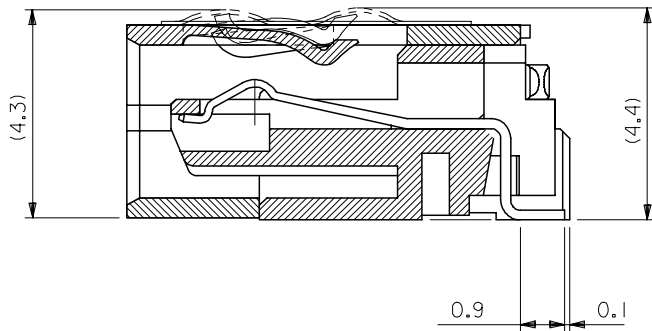
3. テール、ネール平坦度は0.1mm MAX.
TAIL, NAIL COPLANARITY 0.1mm MAX.
4. 本製品は54819-0571の鉛フリー品である。
THIS PRODUCT IS LEAD FREE OF 54819-0571.



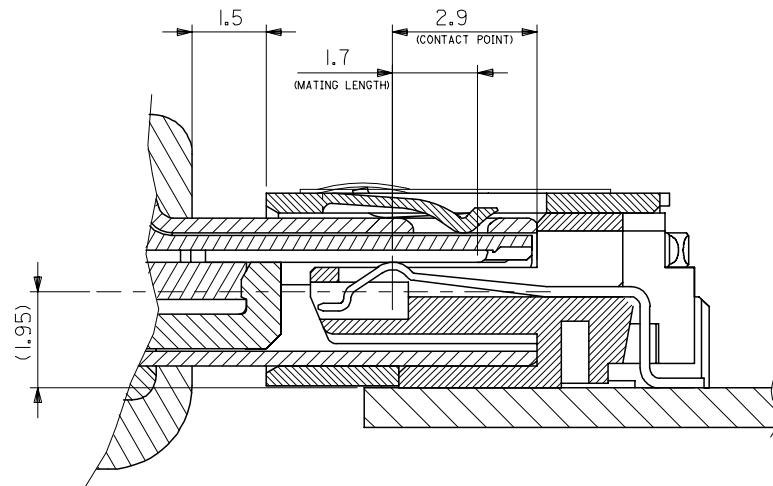
推奨基板寸法 (部品実装側)
RECOMMENDED P.C.B. PATTERN LAYOUT (PART MOUNT SIDE)

54819-0579
MATERIAL NO.

REVISED EC NO: J2006-3494 DRW: KSAI T001 2006/05/16 CHK: D. TANAKA 2006/05/19 APPR: NUKITA 2006/05/19	DESCRIPTION	GENERAL TOLERANCES (UNLESS SPECIFIED)		DIMENSION STYLE	SCALE	DESIGN UNITS	THIRD ANGLE PROJECTION	
				MM ONLY	10:1	METRIC		
		10 UNDER	±0.2	DRAWN BY	DATE	TITLE		
		10 OVER 30 UNDER	±0.25	H. KAWABATA	2004/05/21	USB SERIES MINI-B RECEPTACLE ASS'Y FOR SMT -LEAD FREE-		
30 OVER	±0.3	CHECKED BY	DATE	MOLEX INCORPORATED			SHEET NO. 1 OF 2	
ANGULAR	±3 °	K. TOJO	2004/05/21	MATERIAL NO.				
DRAFT WHERE APPLICABLE MUST REMAIN WITHIN DIMENSIONS		APPROVED BY	DATE	DOCUMENT NO.				
		M. SASAO	2004/05/21	SD-54819-027				
		SIZE A3		THIS DRAWING CONTAINS INFORMATION THAT IS PROPRIETARY TO MOLEX INCORPORATED AND SHOULD NOT BE USED WITHOUT WRITTEN PERMISSION				



SECTION



MATING

MATERIAL 材料	SEE NOTES
FINISH 仕上り	SEE NOTES

REVISED	DESCRIPTION
EC NO: J2006-3494	2006/05/16
DRW:KSAIT001	2006/05/19
CHKD:MTANAKA	2006/05/19
APPR:NUKITA	2006/05/19

GENERAL TOLERANCES (UNLESS SPECIFIED)	
10 UNDER	±0.2
10 OVER 30 UNDER	±0.25
30 OVER	±0.3
ANGULAR	±3 °
DRAFT WHERE APPLICABLE MUST REMAIN WITHIN DIMENSIONS	

DIMENSION STYLE MM ONLY	
DRAWN BY	DATE
H. KAWABATA	2004/05/21
CHECKED BY	DATE
K. TOJO	2004/05/21
APPROVED BY	DATE
M. SASAO	2004/05/21
MATERIAL NO.	
SEE CHART	
SIZE	
A3	

SCALE	DESIGN UNITS	MODEL NO.	54819-***79
10:1	METRIC	THIRD ANGLE PROJECTION	
TITLE			
USB SERIES MINI-B RECEPTACLE ASS'Y FOR SMT -LEAD FREE-			
APPROVED BY		MOLEX INCORPORATED	
M. SASAO		MOLEX	
DOCUMENT NO.		SHEET NO.	
SD-54819-027		2 OF 2	
THIS DRAWING CONTAINS INFORMATION THAT IS PROPRIETARY TO MOLEX INCORPORATED AND SHOULD NOT BE USED WITHOUT WRITTEN PERMISSION			

10 9 8 7 6 5 4 3 2 1

F

E

D

C

B

A

F

E

D

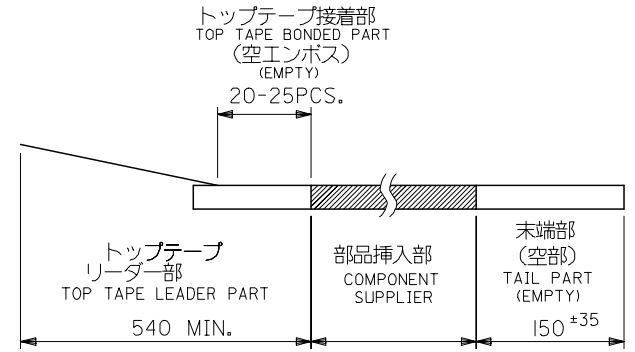
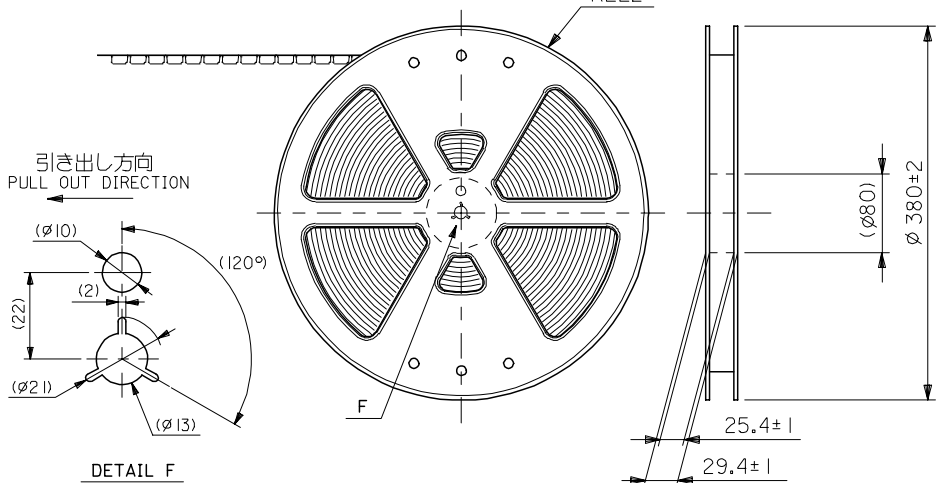
C

B

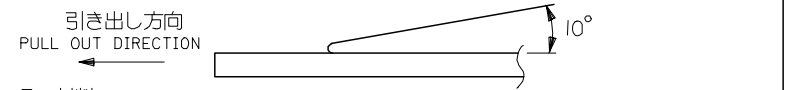
A

NOTES

- 54819-0579の詳細はSD-54819-027参照
IN THE PACKAGE PART NO.54819-0579 DETAILED, SEE SD-54819-027
- 梱包数量: 800 個/リール
NUMBER OF CONNECTORS: 800 PCS/REEL
- リードテープ長さ
LEAD TAPE LENGTH



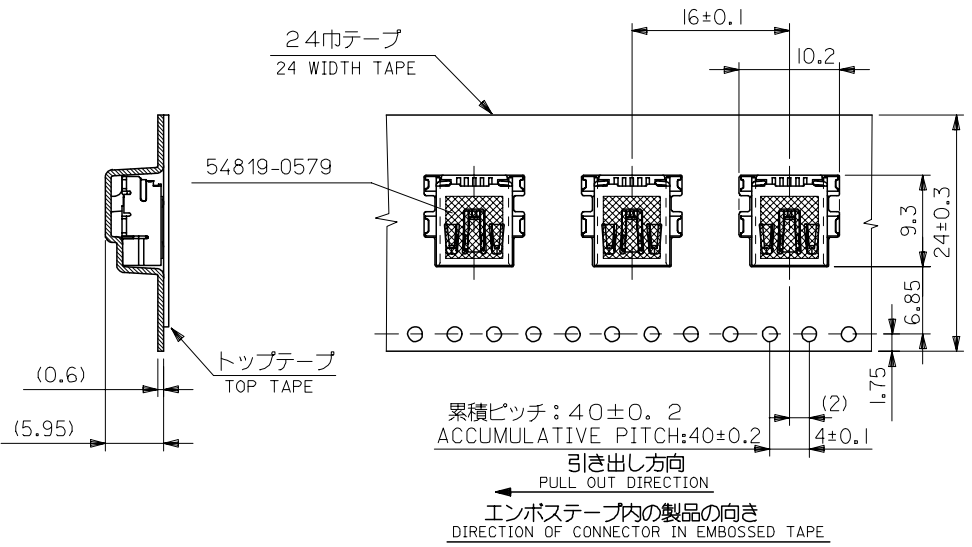
- トップテープの剥離強度: 0.1~ 1.3 N { 10 ~ 130gf }
(剥離方向は下図参照) キャリアテープ幅: 24mm
CARRIER TAPE WIDTH
PEEL-OFF FORCE OF TOP TAPE: 0.1~1.3 N { 10 ~ 130gf }
(PEELING DIRECTION AS SHOWN IN FOLLOWING FIG.)
尚、本規格値は、出荷時に適用。
THIS REQUIREMENT SHOULD BE APPLIED AT SHIPMENT
(但し、輸送時に剥離が発生しない事。)
(PEEL OFF SHOULD NOT BE ALLOWED, DURING TRANSPORTATION)



- 材料
MATERIAL
キャリアテープ: ポリプロピレン
CARRIER TAPE: POLYPROPYLENE
トップテープ: ポリエステル, ポリエチレン
TOP TAPE: POLYESTER, POLYETHLENE
リール: ポリスチレン
REEL: POLYSTYRENE

- 本製品は 54819-0578 の鉛フリー品である。
THIS PRODUCT IS LEAD FREE OF 54819-0578.

54819-0572
MATERIAL NO.



MODEL NO. 54819-**72
SCALE 2:1
DESIGN UNITS METRIC
THIRD ANGLE PROJECTION

REVISED EC NO: J2006-0378 DRWN: YANAGI MOTO 2005/08/03 CHKD: TANAKA 2005/08/03 APPR: NUKITA 2005/08/17	GENERAL TOLERANCES (UNLESS SPECIFIED)		DIMENSION STYLE MM ONLY		SCALE 2:1		DESIGN UNITS METRIC		THIRD ANGLE PROJECTION	
	10 UNDER	±0.2	DRAWN BY H. KAWABATA		DATE 2004/05/21		TITLE USB SERIES MINI-B REC.HS'G EMBOSSED ASS'Y -LEAD FREE-			
	10 OVER 30 UNDER	±0.25	CHECKED BY K. TOJO		DATE 2004/05/21					
	30 OVER	±0.3	APPROVED BY M. SASAO		DATE 2004/05/21		MOLEX INCORPORATED			
1	ANGULAR	±3 °	MATERIAL NO. SEE CHART		DOCUMENT NO. SD-54819-028		SHEET NO. 1 OF 1		THIS DRAWING CONTAINS INFORMATION THAT IS PROPRIETARY TO MOLEX INCORPORATED AND SHOULD NOT BE USED WITHOUT WRITTEN PERMISSION	